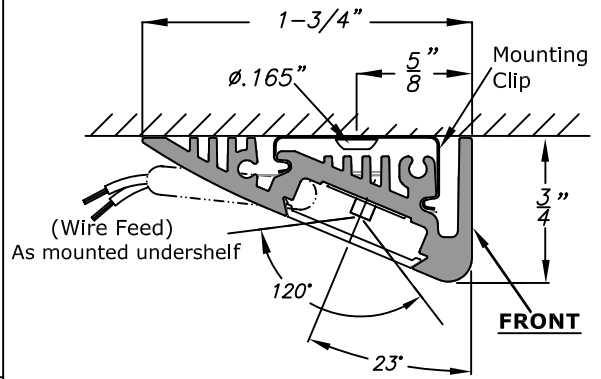


SHELF LIGHT LED LOW PROFILE LUMINAIRE

White, Standard and High Output



LED Viewing Angle 120° White and Color

SPECIFICATIONS:

BODY:

MATERIAL: Non-Ferrous, Extruded Aluminum
FINISH: Anodized Satin Clear

DIFFUSER:

MATERIAL: Acrylic
FINISH: Clear

MOUNTING:

Spring Clips Provided (Non-Ferrous available)

LED ON-CENTER SPACING:

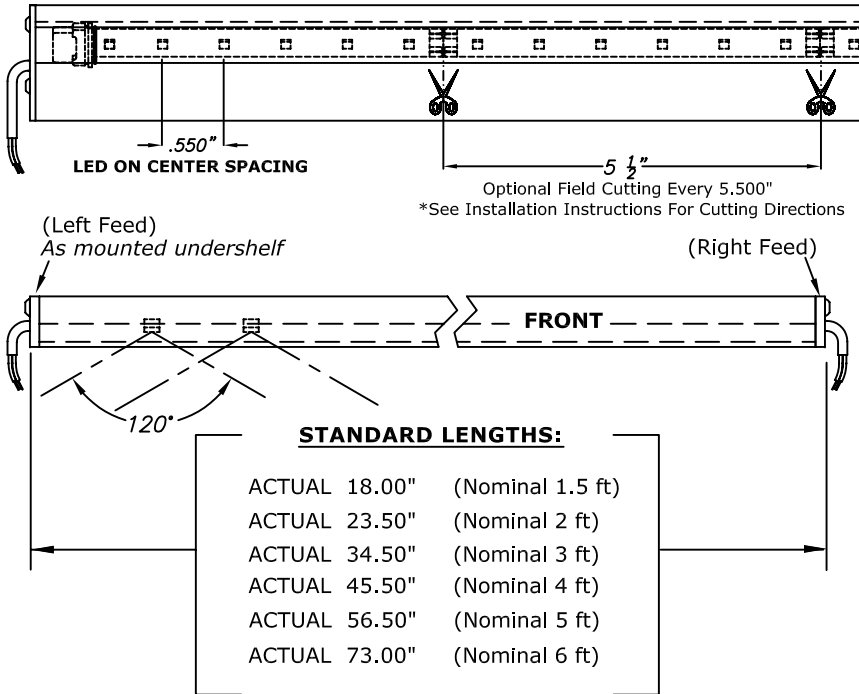
.550" O.C., With 120° Full Angle Dispersion
 No Optics

VOLTAGE:

(Contact Sales)
 Input Voltage Required 24vdc LED Specific
 * Power Supplies Not Included

CONTROLS:

(Contact Sales)
 Compatible with Dimmer



SPECIFICATION CODE :

Please select one option for each Column

Product Code	Length (ft)	* Output	Kelvin or Color	Optics	Feed
RASL	1.5	SO (3 Watts/FT)	27K (Warm White- 67 Lumens/Ft, 22 L/Watt)	X (None)	LF (Left Feed) RF (Right Feed)
	2		35K (Neutral White- 85 Lumens/Ft, 28 L/Watt)		
	3		54K (Cool White- 73 Lumens/Ft, 24 L/Watt)		
	4				
	5				
	6				
	1.5	HO (8 Watts/FT)	27K (Warm White- 166 Lumens/Ft, 24 L/Watt)		
	2		35K (Neutral White- 272 Lumens/Ft, 34 L/Watt)		
	3		54K (Cool White- 152 Lumens/Ft, 19 L/Watt)		
	4				
	5				

* SO=MAXIMUM LENGTH OF A SINGLE FEED LUMINAIRE (6 FT)

* HO=MAXIMUM LENGTH OF A SINGLE FEED LUMINAIRE (5 FT)

Radiant Lighting Solutions reserves the right to change product specifications without notice for ongoing product improvements



EMAIL: Sales@Radiantlighting.com

COPYRIGHT © LIGHTING WORLD INC.
 THIS DOCUMENT IS THE PROPERTY OF LIGHTING WORLD INC.

a BELFERGROUP.com
 10 RUCKLE AVENUE
 FARMINGDALE, NJ 07727
 TEL: 732-493-2666
 FAX: 732-493-2941

TITLE SHELF LIGHT STANDARD WHITE LED LUMINAIRE SPECIFICATION'S

DATE	04/24/09	SCALE	NONE	DRAWN	H.S.
APPROVED BY:		SHEET		DWG. NO.	RASL__
				REV.	7